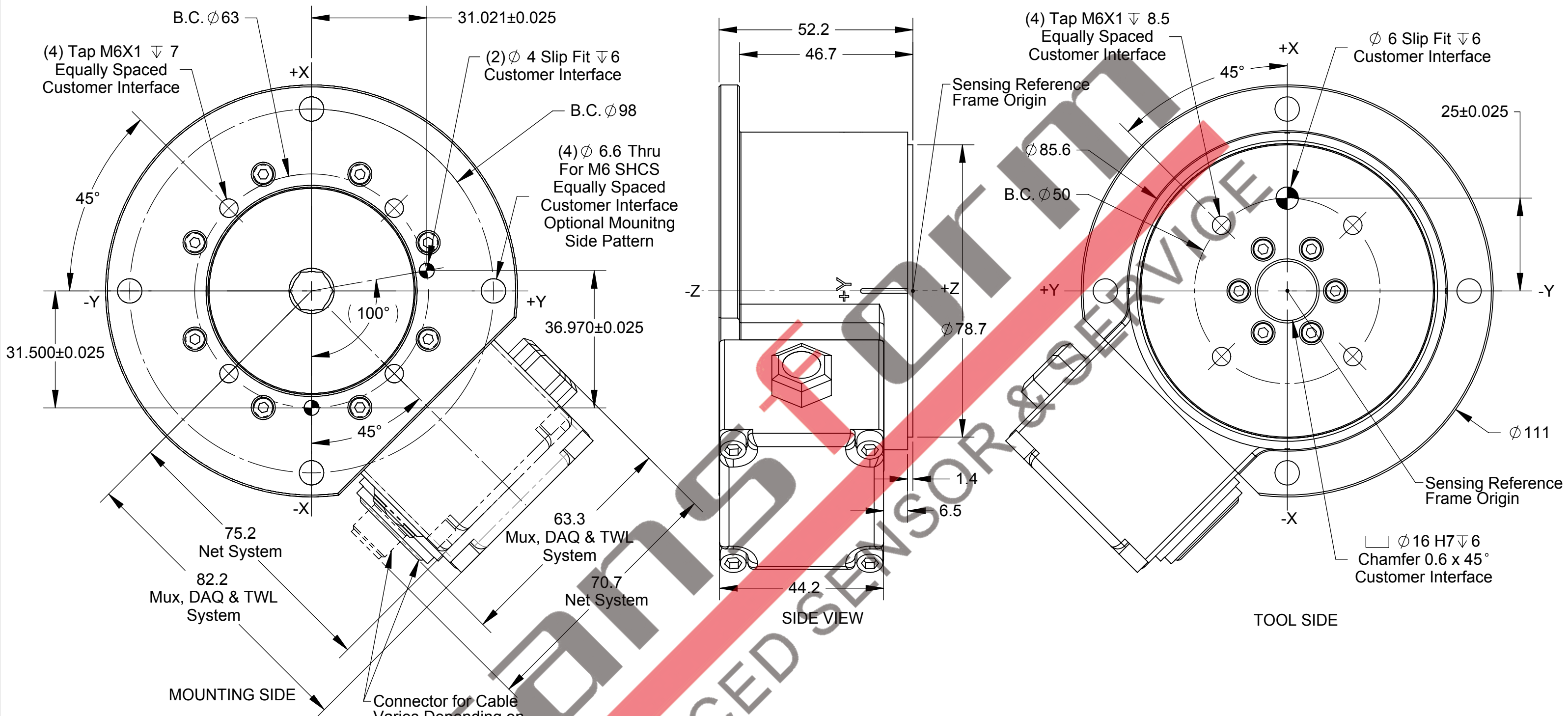
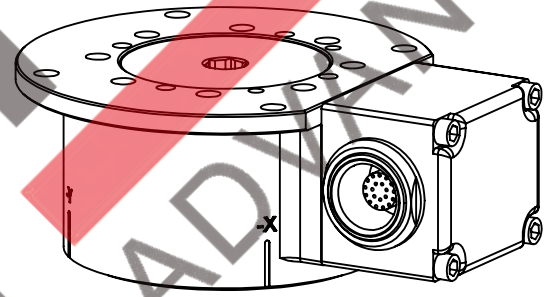


Rev.	Description	Initiator	Date
03	Added Net Dimensions.	ALH	8/8/2008
04	Eco 16104; Added TWL Dimensions	RTD	9/18/2017



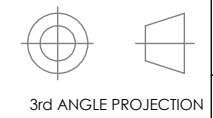
- Notes:
1. Material: Aluminum and Stainless Steel
 2. Sensing Reference Frame Origin at surface center of Tool Adapter.
 3. Do not disassemble transducer. Doing so could damage transducer and will void warranty.
 4. For best accuracy, transducer must be mounted to surfaces rigid enough to support loads without deflection.
 5. Cable must be connected to Transducer to maintain proper seal.
 6. Cable is IP65 rated only at Transducer End.



ISOMETRIC VIEW

NOTES: UNLESS OTHERWISE SPECIFIED.

DO NOT SCALE DRAWING. ALL DIMENSIONS ARE IN MILLIMETERS.



ATI INDUSTRIAL AUTOMATION

1031 Goodworth Drive, Apex, NC 27539, USA
 Tel: +1.919.772.0115 Email: info@ati-ia.com
 Fax: +1.919.772.8259 www.ati-ia.com
 ISO 9001 Registered Company

PROPERTY OF ATI INDUSTRIAL AUTOMATION, INC. NOT TO BE REPRODUCED IN ANY MANNER EXCEPT ON ORDER OR WITH PRIOR WRITTEN AUTHORIZATION OF ATI.

DRAWN BY: P. Fusco 12/15/06		TITLE	
CHECKED BY: D. Swanson 12/18/06		IP65 Gamma Transducer	
PROJECT # 060612-1	SHEET 1 OF 1	SCALE 1:1	SIZE B
		DRAWING NUMBER 9230-05-1307	REVISION 04