

Torque Transducer Type DRFS 1/4" with hexagonal drive

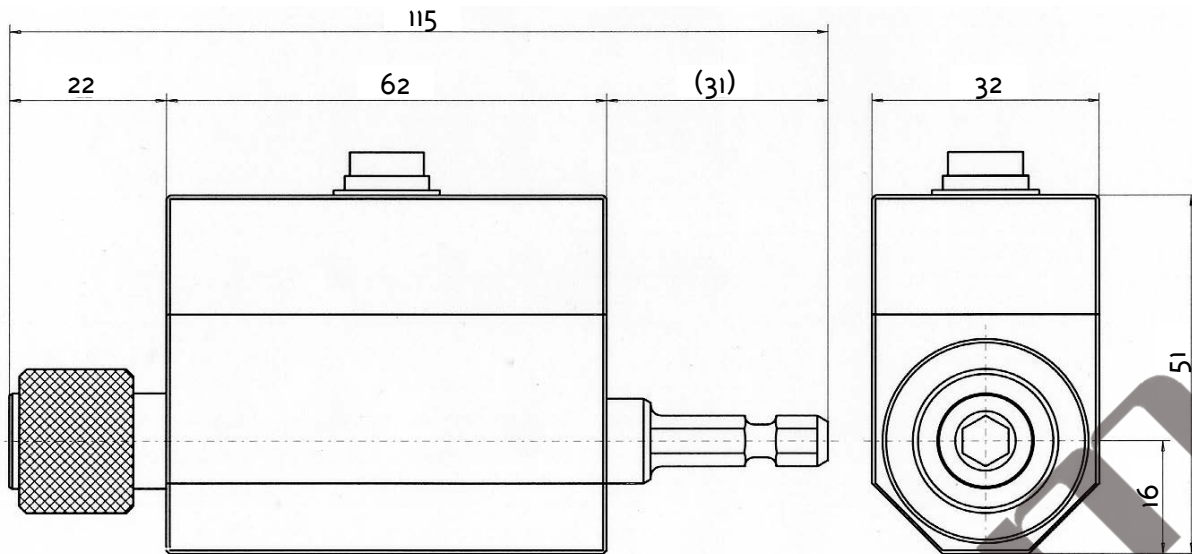


for automobile manufacturing, test bench and assembly applications,
suitable for pulsed tools

It distinguishes with the following special features:

- No service needed because of contactless data acquisition
- Frequency modulation and strain gage principle cause high accuracy
- Ordinary power supply
- High interference rejection because of amplified active signal

Mechanical dimensions:



1/4" hexagonal DIN 3126 (ISO Norm 1973-1975) form E / F with quick-release coupling

Technical Data:

Measurement Range:	1; 2; 5; 10; 12; 15; 20 Nm
Supply Voltage:	12V DC +-10%
Current Consumption:	approx. 200mA
Rise Time 10-90%:	1ms (1kHz)
Voltage Output:	0- ±5V
Internal Resistance:	100 Ω
Ripple:	< 100mV _{ss}
Nonlinearity:	< 0,15%
Hysteresis:	< 0,1%
Deviation at zero point:	≤ ± 100mV
Operating Temperature:	0-60°C
Compensated Temperature Range:	5-45°C
Temperature fault	
Zero Point:	0,02%/K
Sensitivity:	0,01%/K
Mechanical Overload:	1-12Nm 100%; 15Nm 70%; 20Nm 30%
rev. max.:	10 000 rpm
Weight:	approx. 300g
Connection:	12 Pin Fitted Connector

Ordering Example: DRFS 10-1/4"-A
Torque-transducer (standard hexagonal) 10Nm

Attention: To order for Supply and display unit GMV1; GM1002; GM1003 without index „A“!

available Accessories: Measuring cable, supply and display unit