

Double-Link Beam Load Cell

FEATURES

- Capacities: 50k to 125k lbs
- Stainless steel construction
- Certified to NTEP class III L 10000 divisions
- Sealing: IP68
- Low profile, self-checking and self-centering
- Optimized design specially for weighbridge use
- Optional conduit adapter
- **Optional**
 - FM approved for use in potentially explosive atmospheres



APPLICATIONS

- Truck scales
- Railroad track scales
- “Legal for Trade” tank, bin and hopper weighing

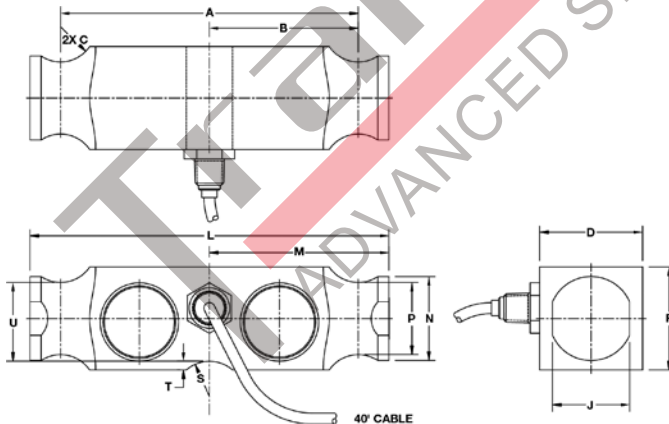
DESCRIPTION

The 9223 is a hermetically sealed, end loaded, center supported double-ended shear beam.

This product is suitable for a wide range of truck and rail scales. It is designed to use parallel link loading, considered by many weighing experts to be advantageous when compared to other loading techniques.

Fully welded stainless steel seals ensure high environmental integrity and provided that additional cable sealing is used, occasional submersion can occur without damage. These products meet the stringent Weights and Measures requirements throughout USA.

OUTLINE DIMENSIONS in inches



Cable specifications:

Cable length: 40 feet

- + Excitation Red
- Excitation Black
- + Output Green
- Output White
- Shield Transparent

Cable screen is not connected to load cell body. Performance may be affected if load cell cables are shortened.

CAPACITY (lbs)	50k, 65k, 100k, 125k
A	8.50
B	4.25
C RAD	1.00
D	2.94
F	2.94
J	2.20
L	10.25
M	5.13
N	2.40
P	2.06
S RAD	1.00
T	0.25
U	2.25

Double-Link Beam Load Cell

SPECIFICATIONS			
PARAMETER	VALUE		UNIT
Standard capacities (E _{max})	50k, 65k, 100k, 125k		lbs
Accuracy class according to NTEP	NTEP IIIIL	Non-Approved	
Maximum no. of verification intervals (n _{ic})	10000		
Rated output (=S)	3		mV/V
Rated output tolerance	0.003		±% mV/V
Zero balance	1.0		±% FSO
Combined error	0.0200	0.0500	±% FSO
Non-repeatability	0.0100	0.0200	±% FSO
Creep error (20–30 minutes)	0.0300	0.0300	±% applied load
Temperature effect on minimum dead load output	0.0008	(0.0140)	±% FSO/°F (/5°C)
Temperature effect on sensitivity	0.0010	(0.0070)	±% applied load/°F (/5°C)
Compensated temperature range	–10 to +40 (+14 to 104)		°C (°F)
Operating temperature range	–53 to +93 (–65 to +200)		°C (°F)
Safe load limit	150		% E _{max}
Ultimate load	300		% E _{max}
Safe side load limit	100		% E _{max}
Excitation voltage recommended	10		V
Excitation voltage maximum	15		V
Input resistance	700±7		Ω
Output resistance	700±7		Ω
Insulation resistance	≥5000		MΩ
Environmental protection	IP68		
Element material	Stainless steel		ASTM

FSO— Full Scale Output

All specifications subject to change without notice.

Disclaimer

ALL PRODUCTS, PRODUCT SPECIFICATIONS AND DATA ARE SUBJECT TO CHANGE WITHOUT NOTICE.

Vishay Precision Group, Inc., its affiliates, agents, and employees, and all persons acting on its or their behalf (collectively, "VPG"), disclaim any and all liability for any errors, inaccuracies or incompleteness contained herein or in any other disclosure relating to any product.

The product specifications do not expand or otherwise modify VPG's terms and conditions of purchase, including but not limited to, the warranty expressed therein.

VPG makes no warranty, representation or guarantee other than as set forth in the terms and conditions of purchase. **To the maximum extent permitted by applicable law, VPG disclaims (i) any and all liability arising out of the application or use of any product, (ii) any and all liability, including without limitation special, consequential or incidental damages, and (iii) any and all implied warranties, including warranties of fitness for particular purpose, non-infringement and merchantability.**

Information provided in datasheets and/or specifications may vary from actual results in different applications and performance may vary over time. Statements regarding the suitability of products for certain types of applications are based on VPG's knowledge of typical requirements that are often placed on VPG products. It is the customer's responsibility to validate that a particular product with the properties described in the product specification is suitable for use in a particular application. You should ensure you have the current version of the relevant information by contacting VPG prior to performing installation or use of the product, such as on our website at vpgsensors.com.

No license, express, implied, or otherwise, to any intellectual property rights is granted by this document, or by any conduct of VPG.

The products shown herein are not designed for use in life-saving or life-sustaining applications unless otherwise expressly indicated. Customers using or selling VPG products not expressly indicated for use in such applications do so entirely at their own risk and agree to fully indemnify VPG for any damages arising or resulting from such use or sale. Please contact authorized VPG personnel to obtain written terms and conditions regarding products designed for such applications.

Product names and markings noted herein may be trademarks of their respective owners.

Copyright Vishay Precision Group, Inc., 2014. All rights reserved.