

## Double-Ended Beam Load Cell

### FEATURES

- Capacities: 10k to 125k lbs
- Environmental protection: IP67 (DIN 40.050)
- Material: Stainless steel
- Certified by NTEP class III, 10000 divisions
- **Optional**
  - FM approved for use in potentially explosive atmospheres



### APPLICATIONS

- Silos, tanks and hoppers
- Weighbridges

### DESCRIPTION

The 9303 is a link-loaded stainless steel double-ended shear beam type load cell, specifically designed for truck scales, track scales and high capacity weighing applications.

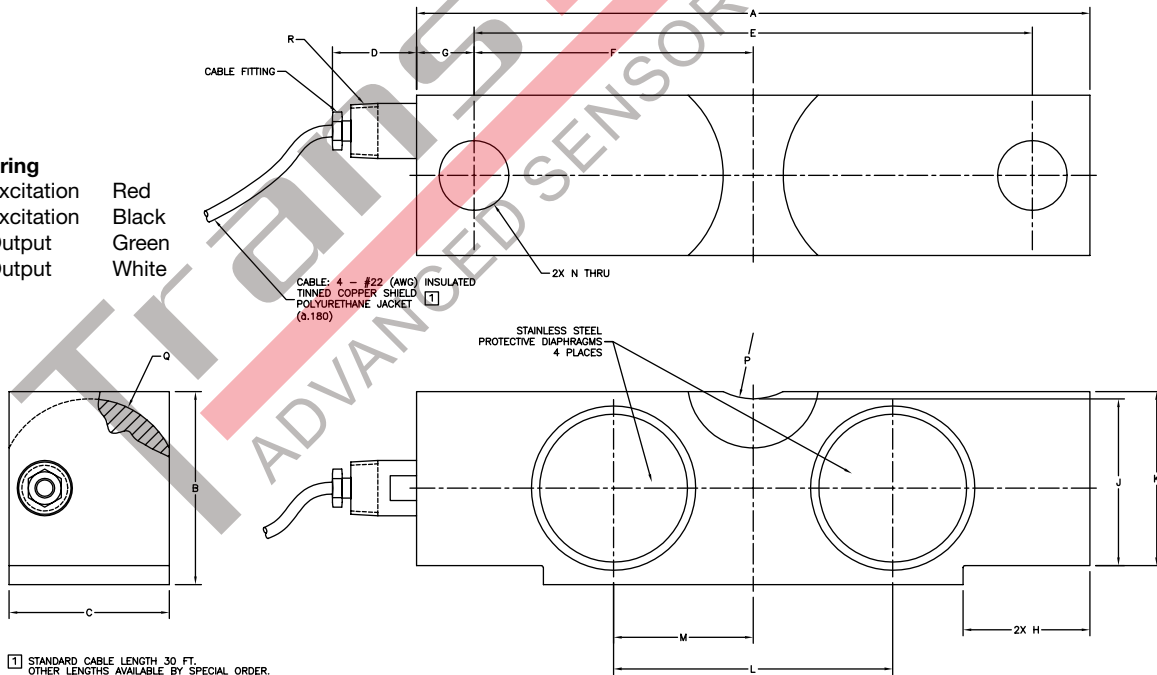
A reliable sealing and mechanical protection of the strain gage area is ensured by the use of potting compound with a metal cover.

This load cell is rated intrinsically safe by FM approvals, making it suitable for use in potentially explosive atmospheres.

### OUTLINE DIMENSIONS in inches

#### Wiring

- + Excitation Red
- Excitation Black
- + Output Green
- Output White



1 STANDARD CABLE LENGTH 30 FT. OTHER LENGTHS AVAILABLE BY SPECIAL ORDER.

CAPACITY	A	B	C	D	E	F	G	H	J	K	L	M	N	P	Q	R
10k, 15k, 20k	7.75	1.94	1.69	1.28	6.50	3.25	0.63	1.38	1.63	1.70	3.00	1.50	∅0.68	R0.75	R0.90	1/4"-18 NPT
30k, 40k	10.25	2.44	1.94		8.50	4.25	0.88	1.93	2.00	2.10	4.25	2.13	∅0.81	R1.00	R1.12	1/4"-18 NPT
50k, 60k, 75k	10.25	2.94	2.44		8.50	4.25	0.88	1.93	2.54	2.65	4.25	2.13	∅1.06	R1.00	R1.37	1/2"-14 NPT
100k, 125k	15.25	3.86	2.90		12.75	6.38	1.25	3.13	3.30	3.43	6.38	3.19	∅1.62	R1.50	R1.80	1/2"-14 NPT

Capacities are in pounds.

### Double-Ended Beam Load Cell

SPECIFICATIONS			
PARAMETER	VALUE		UNIT
Standard capacities (E <sub>max</sub> )	10k, 15k, 20k, 30k, 40k, 50k, 60k, 75k, 100k, 125k <sup>(1)</sup>		lbs
Accuracy class according to NTEP	NTEP III	Non-Approved	
Maximum no. of verification intervals (n <sub>v</sub> )	10000 Multiple		
Rated output (=S)	3		mV/V
Rated output tolerance	0.003		±mV/V
Zero balance	1.0		±% FSO
Combined error	0.0200	0.0300	±% FSO
Temperature effect on zero	0.0090	0.0135	±% FSO/5°C (°F)
Temperature effect on output	0.0072	0.0072	±% load/5°C (°F)
Compensated temperature range	-10 to +40 (+14 to 104)		°C (°F)
Operating temperature range	-53° to +93° (-65° to +200°)		°C (°F)
Safe load limit	150		% E <sub>max</sub>
Ultimate load	300		% E <sub>max</sub>
Safe side load limit	100		% E <sub>max</sub>
Excitation voltage recommended	10		VDC
Excitation voltage maximum	15		VDC
Input resistance	700±7		Ω
Output resistance	700±7		Ω
Insulation resistance	≥1000		MΩ
Environmental protection	IP67		
Element material	Stainless steel		

<sup>(1)</sup> 10k is not approved by NTEP

FSO—Full Scale Output

**Mounting:**

Correct mounting of the load cells is essential to ensure optimum accuracy and performance. Further information is available upon request. No mounts available for 9303.

All specifications subject to change without notice.

## Disclaimer

ALL PRODUCTS, PRODUCT SPECIFICATIONS AND DATA ARE SUBJECT TO CHANGE WITHOUT NOTICE.

Vishay Precision Group, Inc., its affiliates, agents, and employees, and all persons acting on its or their behalf (collectively, "VPG"), disclaim any and all liability for any errors, inaccuracies or incompleteness contained herein or in any other disclosure relating to any product.

The product specifications do not expand or otherwise modify VPG's terms and conditions of purchase, including but not limited to, the warranty expressed therein.

VPG makes no warranty, representation or guarantee other than as set forth in the terms and conditions of purchase. **To the maximum extent permitted by applicable law, VPG disclaims (i) any and all liability arising out of the application or use of any product, (ii) any and all liability, including without limitation special, consequential or incidental damages, and (iii) any and all implied warranties, including warranties of fitness for particular purpose, non-infringement and merchantability.**

Information provided in datasheets and/or specifications may vary from actual results in different applications and performance may vary over time. Statements regarding the suitability of products for certain types of applications are based on VPG's knowledge of typical requirements that are often placed on VPG products. It is the customer's responsibility to validate that a particular product with the properties described in the product specification is suitable for use in a particular application. You should ensure you have the current version of the relevant information by contacting VPG prior to performing installation or use of the product, such as on our website at [vpgsensors.com](http://vpgsensors.com).

No license, express, implied, or otherwise, to any intellectual property rights is granted by this document, or by any conduct of VPG.

The products shown herein are not designed for use in life-saving or life-sustaining applications unless otherwise expressly indicated. Customers using or selling VPG products not expressly indicated for use in such applications do so entirely at their own risk and agree to fully indemnify VPG for any damages arising or resulting from such use or sale. Please contact authorized VPG personnel to obtain written terms and conditions regarding products designed for such applications.

Product names and markings noted herein may be trademarks of their respective owners.

Copyright Vishay Precision Group, Inc., 2014. All rights reserved.