

# Reaction torque transducer Type DRT2 for static application



## Suitable for:

- test of pulsed tools
- torque wrenches
- electric screwdriver

## Description:

This transducer was developed for static test of pulsed tools, torque wrenches, electric screwdrivers and so on. In combination with the universal torque meter GMV2 it is possible to detect the first peak of a measurement to prevent falsifying of measurement values by overdriving of a torque wrench.

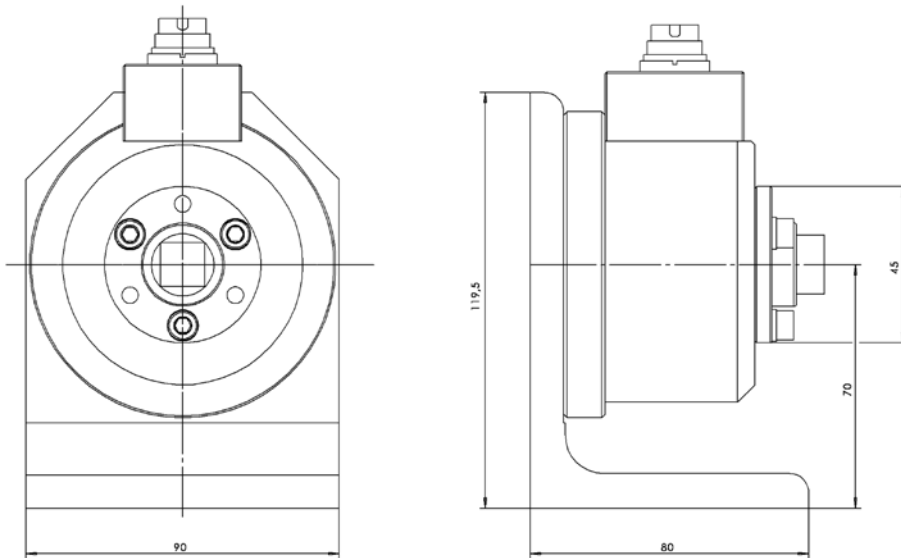
## Special features:

- insensitive for bending force
- for fixed mounting
- replaceable adapter

According to the tool to be tested, it can be arranged any way you like.

For connect the tools are various adapters available. The shaft of the torque transducer are insensitive for bending force, because of specially applied strain gage bridges and additional ball bearings.

## Mechanical dimensions:



## Technical Data:

Type:	(a)ctive	(p)assive	Permissible Load		
Measurement Range:	50; 100; 200; 300Nm	50; 100; 200; 300Nm	Measure- ment Range (Nm)	Axial (N)	Radial (N)
Supply Voltage:	12V DC±10%	12 V max.	50	2040	430
Current Consumption:	approx. 20 mA	35 mA max.	100	2830	430
Voltage Output:	0- ±5V	1 mV/V	200	4070	430
Nonlinearity:	<0,1 %	<0,1 %	300	5150	430
Hysteresis:	<0,2 %	<0,1 %			
Deviation at zero point:	≤ ± 100 mV	≤ ± 0,01 mV/V			
Internal Resistance:	---	350 Ω nominal			
Compensated Temperature Range:	5-45°C	5-45°C			
Operating Temperature:	0-60°C	0-60°C	Available Connectors:		
Temperature fault			Hexagonal Connector:		
Zero Point:	0,02 % / K	0,02 % / K	SW13 bis SW21 DIN ISO 272		
Sensitivity:	0,01 % / K	0,01 % / K	Square Connector:		
Mechanical Overload:	100%	100%	3/8" DIN 3121-H		
Connection:	12 pin Connector	6 pin Connector	1/2" DIN 3121-H		
Protection:	IP 40 DIN 40050	IP 40 DIN 40050			

### 1. Ordering Example: DRT2 p-50-SW17

Torque transducer passiv measuring range 50 Nm Hexagonal Connector SW 17 DIN ISO 272

### 2. Ordering Example: DRT2 a-50-A-SW17

Torque transducer aktiv measuring range 50 Nm Hexagonal Connector SW 17 DIN ISO 272

Please ask for connectors not listed above.

Attention: To order for supply and display unit type GMV1 without index „A“!

Available Accessories: Connectors, measuring cable, supply and display unit, screwing simulators

ETH messtechnik gmbh Hagstrasse 10 D-74417 Gschwend Tel.: +49(0)7972-9310-0 Fax: -50 www.eth-messtechnik.de info@eth-messtechnik.de

Technical changes reserved