

HAZARDOUS LOCATIONS PRESSURE TRANSMITTER

MODEL 240/340 AI/AN



Model 240/340 AI/AN
Hazardous Locations Pressure Transmitter

FEATURES:

- Compact design for easier installation
- All stainless steel welded construction
- ATEX & IEC Approvals
- Improved accuracy and thermally compensated
- Ranges 0 to 1 PSI thru 0 to 30K PSI (69 Mbar to 2068 Bar)
- FM, & CSA Approvals Pending

APPLICATIONS:

- Natural Gas Compression
- Rig safety systems
- Well head control
- Control panels
- On-board transmission & engine monitoring

PRODUCT OVERVIEW:

GP:50's Model 40 series incorporates over 25 years of oil field proven design in a 1" diameter package. The 40 series provides a rugged solution for hazardous approved areas, especially where space constraints are a concern. Its all welded stainless steel design will provide years of reliable service in some of the harshest environments.

APPROVALS:

Current Approval:



Pending Approval:



Currently Available:

- ATEX/IEC Intrinsically Safe: II 1 G Ex ia IIC T5 Ga
- ATEX Zone 2: II 3 G Ex nA/ic IIC T5 Gc

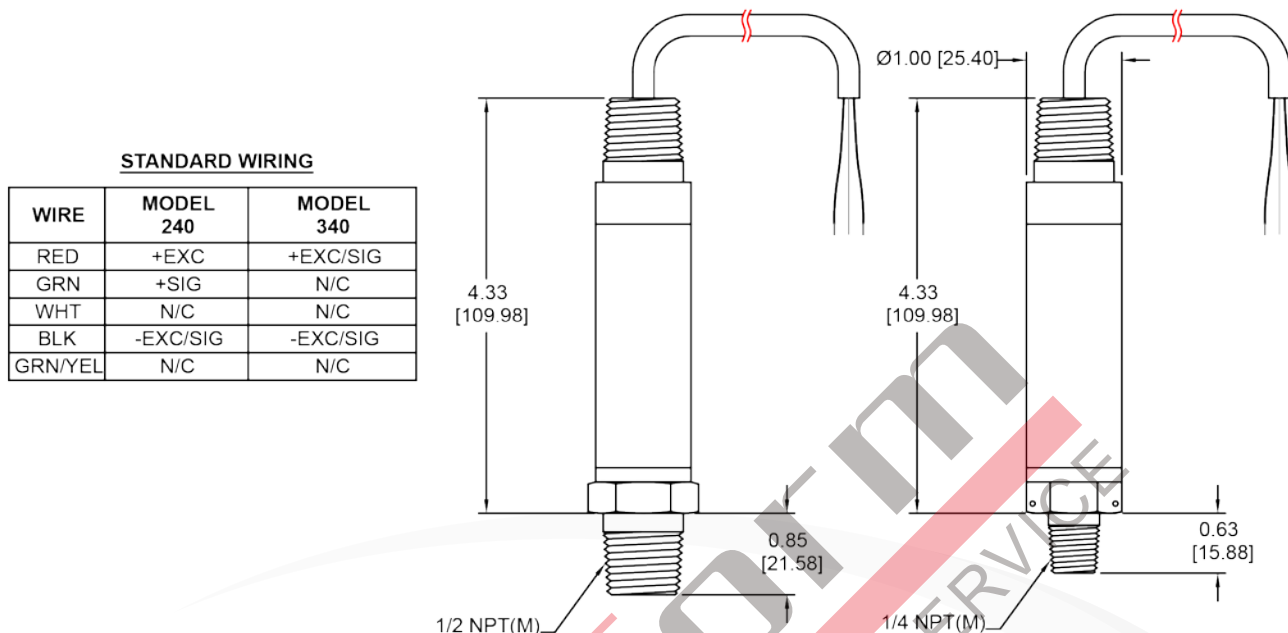
Pending:

- IEC Zone 2: II 3 G Ex nA/ic IIC T5 Gc
- FM/CSA: Intrinsically Safe: Class I, Division 1, Groups A-G, T5, Ex ia IIC T5
- FM/CSA: Division/ Zone 2: Class I Division 2, Groups A-G, T5, Ex nC/nA/nL T5

GP:50 MODEL 240/340 AI/AN HAZARDOUS LOCATIONS

DRAWING

All dimensions are in inches (mm)



REFERENCE SPECIFICATIONS

ELECTRICAL

- **Excitation Voltage:**
(Model 240) 10.5 to 32 Vdc
(Model 340) 10 to 28 Vdc
- **Output Signal:**
(Model 240) 0-5 Vdc
(Model 340) 4-20 mA
- **Load Impedance:**
(Model 240) 50K Ω max. 24 Vdc
(Model 340) 750 Ω max. 24 Vdc
- **Input Current:**
(Model 240) 8 mA nominal
- **Insulation Resistance:** > 10 M Ω at 50 Vdc and +70 °F
- **EMI Specs:** EMC directive 2004/108/EC, EN 61326 emission
- **Connection:** 1/2" NPT M conduit w/ 6ft 18 AWG multi-conductor cable

MATERIALS OF CONSTRUCTION

- **Wetted Parts:**
≤ 2000 PSI 316L SST w/silicon oil fill (Fomblin oil fill available)
> 2000 PSI 17-4 PH SST (Hastelloy and Inconel available)
- **Housing:** 316 stainless steel

STATIC ACCURACY (HYSTERESIS, NON-LINEARITY & REPEATABILITY @ +70 °F)

- **Standard** ±0.25% FSO
- **Optional** ±0.15%

Zero Balance and FSO: ±1% FSO at +70 °F

MECHANICAL

- **Process Connection:** 1/4" NPT (M), options available
- **Proof Pressure:** 2X FSO
- **Burst Pressure:** 5X FSO
- **Approximate Weight:** 0.5 lb nominal, options may increase weight
- **Environmental:** Design to meet IP67 (Some options may affect this. Consult factory if critical.)

PRESSURE RANGES

- 0 to 1 PSI thru 0 to 30K PSI, some options may affect range (PSIG, PSIS, PSIA, PSIV & compound ranges available)

THERMAL SPECIFICATIONS

- **Compensated:** 0 °F to +180 °F (-17.7 °C to +82 °C)
- **Operating:** -40 °F to +176 °F (-40 °C to +80 °C)
- **Storage:** -65 °F to +250 °F (-53 °C to +121 °C)
- **Effect on Zero/Span:** ±1.0% FSO/100 °F

**Standard configurations shown.
Please consult factory for other options.**

All specifications are for reference purposes only. In the interests of continuous product improvement, all specifications are subject to change without notice. Please contact GP:50 for assistance with your application.