

## Hermetically-Sealed Bending Beam

### FEATURES

- Capacities: 10, 20, 30, 50, 75, 100, 200 and 250 kg
- Stainless steel or alloy steel construction
- Stainless steel version hermetically-sealed
- High side load tolerance
- Easy installation
- OIML C3 approval from 50 kg to 250 kg



### APPLICATIONS

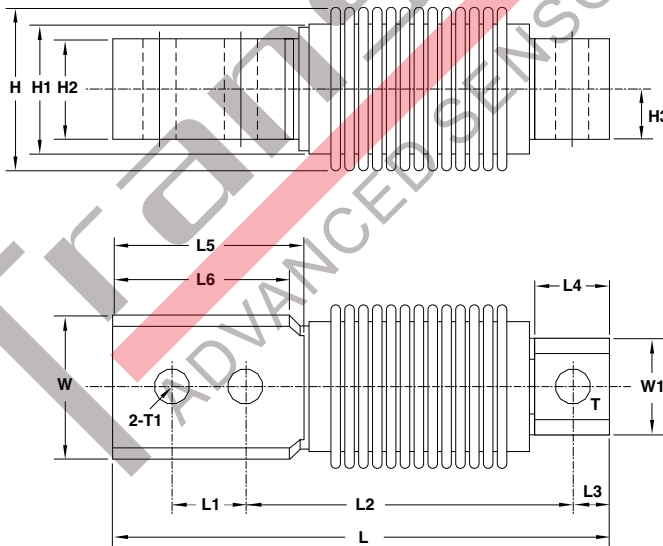
- Platform scales (multiple load cells)
- Silo/hopper/tank weighing
- Packaging machines
- Dosing/filling
- Belt scales/conveyor scales

### DESCRIPTION

HBB is a single-ended bending beam load cell designed for multiple cell applications, such as low profile platform scales or small tank scales when used with proper mounting accessories. It is insensitive to side load and capable of reversed loading.

HBB is constructed of stainless steel or alloy steel. The stainless steel version is hermetically-sealed to IP68, providing excellent protection against corrosive and wash-down environments.

### OUTLINE DIMENSIONS



#### Wiring diagram

- + Excitation Red
- Excitation Black
- + Signal Green
- Signal White

Stainless Steel Capacities (kg)		L	L1	L2	L3	L4	L5	L6	H	H1	H2	H3	W	W1	T	T1
10, 20, 50, 100, 200*, 250	mm	120	18	82	10	19	41	38	41.6	28.2	20	10	31.5	26.6	Ø 8.2	Ø 8.2
	inch	4.72	0.71	3.23	0.39	0.75	1.61	1.5	1.64	1.11	0.79	0.39	1.24	1.05	Ø 0.32	Ø 0.32
* Threaded hole version "200KGT" available: T = M10 × 1.5																
Alloy Steel Capacities (kg)		L	L1	L2	L3	L4	L5	L6	H	H1	H2	H3	W	W1	T	T1
10, 20, 30, 50, 75, 100, 200, 250	mm	120	18	82	10	19	41	38	41.6	31.5	20	10	31.5	26.6	M10 × 1.5	Ø 8.2
	inch	4.72	0.71	3.23	0.39	0.75	1.61	1.5	1.64	1.24	0.79	0.39	1.24	1.05	M10 × 1.5	Ø 0.32

Hermetically-Sealed Bending Beam

SPECIFICATIONS			
PARAMETER	VALUE		UNIT
NTEP/OIML Accuracy class	Non-Approved	C3 (stainless steel version only)	
Maximum no. of intervals (n)	1000	3000*	
$Y = E_{max}/V_{min}$	5000	10000	Maximum available
Standard capacities ( $E_{max}$ )	10, 20, 30**, 50, 75**, 100, 200, 250		kg
Rated output—RO	2.0		mV/V
Rated output tolerance	0.25		±% of rated output
Zero balance	1		±% of rated output
Non linearity	0.030	0.025	±% of rated output
Hysteresis	0.030	0.025	±% of rated output
Non-repeatability	0.020		±% of rated output
Creep error (20 minutes)	0.030	0.020	±% of rated output
Zero return (20 minutes)	0.030	0.020	±% of rated output
Temperature effect on min. dead load output	0.0026	0.0014	±% of rated output/°C
Temperature effect on sensitivity	0.0015	0.0010	±% of rated output/°C
Compensated temperature range	-10 to +40		°C
Operating temperature range	-20 to +60		°C
Safe overload	150		% of RC
Ultimate overload	300		% of RC
Excitation, recommended	10		VDC or VAC RMS
Excitation, maximum	15		VDC or VAC RMS
Input impedance	385±5		Ω
Output impedance	350±3		Ω
Insulation resistance	>5000		MΩ
Cable length	3		m
Construction	Stainless steel or alloy steel		
Environmental protection	IP68 (stainless steel version only)		

\* Capacities: 50–250 kg

\*\* Capacities of 30 kg and 75 kg as alloy steel version only

All specifications listed subject to change without notice.

## Disclaimer

ALL PRODUCTS, PRODUCT SPECIFICATIONS AND DATA ARE SUBJECT TO CHANGE WITHOUT NOTICE.

Vishay Precision Group, Inc., its affiliates, agents, and employees, and all persons acting on its or their behalf (collectively, "VPG"), disclaim any and all liability for any errors, inaccuracies or incompleteness contained herein or in any other disclosure relating to any product.

The product specifications do not expand or otherwise modify VPG's terms and conditions of purchase, including but not limited to, the warranty expressed therein.

VPG makes no warranty, representation or guarantee other than as set forth in the terms and conditions of purchase. **To the maximum extent permitted by applicable law, VPG disclaims (i) any and all liability arising out of the application or use of any product, (ii) any and all liability, including without limitation special, consequential or incidental damages, and (iii) any and all implied warranties, including warranties of fitness for particular purpose, non-infringement and merchantability.**

Information provided in datasheets and/or specifications may vary from actual results in different applications and performance may vary over time. Statements regarding the suitability of products for certain types of applications are based on VPG's knowledge of typical requirements that are often placed on VPG products. It is the customer's responsibility to validate that a particular product with the properties described in the product specification is suitable for use in a particular application. You should ensure you have the current version of the relevant information by contacting VPG prior to performing installation or use of the product, such as on our website at [vpgsensors.com](http://vpgsensors.com).

No license, express, implied, or otherwise, to any intellectual property rights is granted by this document, or by any conduct of VPG.

The products shown herein are not designed for use in life-saving or life-sustaining applications unless otherwise expressly indicated. Customers using or selling VPG products not expressly indicated for use in such applications do so entirely at their own risk and agree to fully indemnify VPG for any damages arising or resulting from such use or sale. Please contact authorized VPG personnel to obtain written terms and conditions regarding products designed for such applications.

Product names and markings noted herein may be trademarks of their respective owners.

Copyright Vishay Precision Group, Inc., 2014. All rights reserved.