



## HAZARDOUS LOCATION FLUSH MOUNT PRESSURE TRANSDUCER

### MODEL 311-IM



Model 311-IM  
Hazardous Location Flush Mount  
Pressure Transducer



#### FEATURES:

- Flush sensor eliminates media plugging
- 0-50 thru 0-750 PSI (4 thru 50 BAR)
- No zero offset due to installation
- FM, CSA, ATEX, and IEC approvals
- Rugged, all-welded stainless steel design
- Optional 5X proof pressure
- Optional tri-clamp adapter

#### APPLICATIONS:

- Blender discharge
- Frack pump suction pressure
- Wellhead control
- Sludge and slurries
- Adhesives and paints

#### PRODUCT OVERVIEW:

The Model 311-IM from GP:50 is a flush mounted, hazardous location approved pressure transducer, designed to provide added reliability within slurry or thick process media applications. Their rugged, all-welded flush mounted design facilitates accurate measurements of corrosive or higher viscosity media, in applications where non-flush port sensors are otherwise prone to clogging or damage. No zero offset is caused during sensor installation.

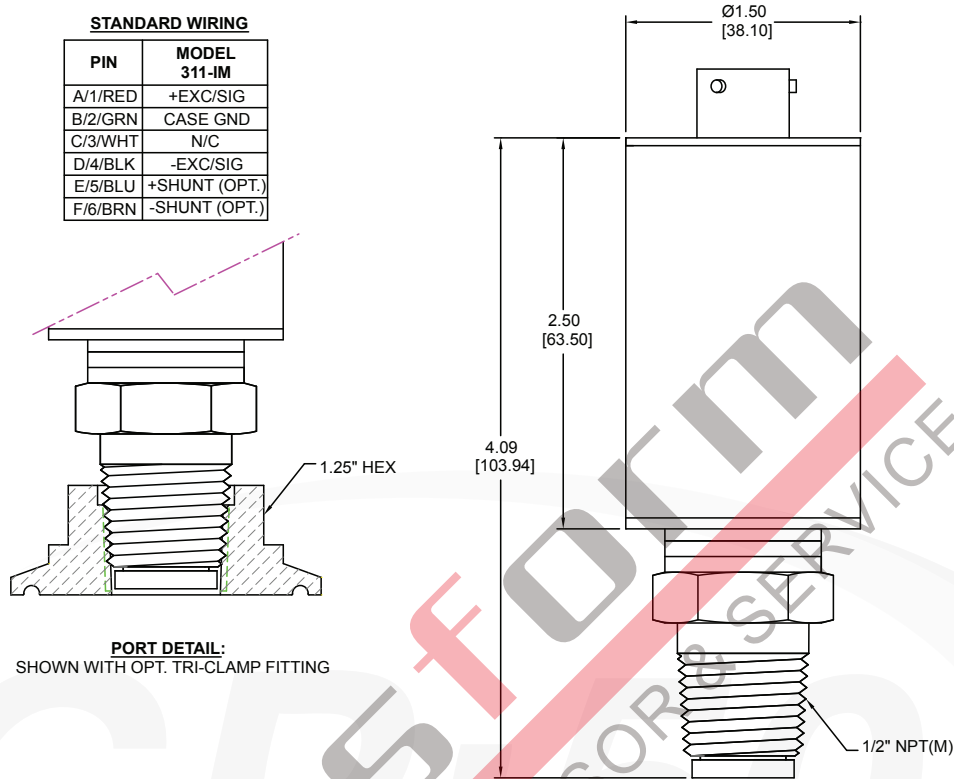
#### APPROVALS:

- FM, FM/CSA: Class I/II/III, Div 1, Grps A-G, T6 at Ta=40C
  - FM: Class I, Zone 2 AEx nC IIC T5, Class I, Div. 2, Grp. A, B, C, D Class II, Grp. E, F, G, Class III T5, Ta = 80C
  - CSA: Ex nA IIC T5, Ex nL IIC T5, Class I Div. 2 Grp. A, B, C, D Class II Div. 2 Grp. E, F, G Class III T5, Ta=80C
  - ATEX: CE0575 II 3 G Ex nA IIC, Ex ic IIC T5, Ta=80C
  - IEC: Ex na IIC, Ex ic IIC T5, Ta=80C
- (all Zone 2/Div 2 approvals are electrical connector dependent)

# GP:50 MODEL 311-IM

## DIMENSIONAL DRAWING

All dimensions are in inches (mm)



## REFERENCE SPECIFICATIONS

ELECTRICAL	MECHANICAL
<ul style="list-style-type: none"> <li>• Excitation Voltage: 10 to 28 Vdc</li> <li>• Output Signal: 4-20 mA</li> <li>• Circuit Protection: RFI and EMI</li> <li>• Load Impedance: 750 Ω max. to 24 Vdc</li> <li>• Insulation Resistance: &gt; 10 MΩ @ 50 Vdc, +70 °F</li> <li>• Response Time: &lt; 5 ms 10% to 90%</li> <li>• Connection: 6-pin Bendix connector (other options available)</li> </ul>	<ul style="list-style-type: none"> <li>• Process Connection: 1/2" NPT (M)</li> <li>• Proof Pressure: 2X FSO (5X optional)</li> <li>• Burst Pressure: 5X FSO</li> <li>• Approximate Weight: 0.7 lb (260 g) nominal, options may increase weight</li> </ul>
MATERIALS OF CONSTRUCTION	PRESSURE RANGES
<ul style="list-style-type: none"> <li>• Wetted Parts: Inconel 718 and 316 stainless steel (optional Hastelloy, consult factory)</li> <li>• Housing: 316 stainless steel</li> </ul>	<ul style="list-style-type: none"> <li>• 0 to 50 PSI thru 0 to 750 PSI (0 to 3 thru 0 to 50 BAR) , some options may affect range (PSIG, PSIS, PSIA, PSIV compound ranges available)</li> </ul>
STATIC ACCURACY (RSS) (HYSTERESIS, NON-LINEARITY & REPEATABILITY @ +70 °F)	THERMAL SPECIFICATIONS
Standard: ±0.5%, ±0.2% Zero Balance and FSO: ±1% at +70 °F	<ul style="list-style-type: none"> <li>• Compensated: 0 °F to +180 °F (-18 °C to +82 °C)</li> <li>• Operating Process: -40 °F to +176 °F (-40 °C to +80 °C)</li> <li>• Storage: -65 °F to +250 °F (-53 °C to +121 °C)</li> <li>• Effect on Zero/Span: ±2.0% FSO/100 °F</li> </ul>

**Standard configurations shown.  
Please consult factory for other options.**

All specifications are for reference purposes only. In the interests of continuous product improvement, all specifications are subject to change without notice. Please contact GP:50 for assistance with your application.