



APPLIED MEASUREMENTS LTD.
Transducer Specialists...

+44 (0) 118 981 7339

info@appmeas.co.uk

<https://appmeas.co.uk>

CCGBP Brake Pedal Load Cell

Key Features:

- Capacities 0-50kg to 0-250kg
- Very Low Profile (12.5mm)
- Extremely Compact
- Integral Mounting & Loading Plates
- Fast Installation
- Stainless Steel Robust Construction
- 3 Year Warranty



For the measurement of brake pedal force

The CCGBP range are designed for the measurement of brake pedal force where the absolute minimum height is available. Their low profile at 12.5mm makes them ideal for use where space is limited.

The CCGBP load cell is manufactured from Stainless Steel and features a radial strain gauge arrangement to help keep reading errors due to off-centre loading at a minimum. It also provides a safe overload capacity of 150% of rated load.

In-line signal conditioning is available to provide a high-level voltage or current output via the ICA series of analogue amplifiers. Alternatively, digital outputs can be provided via the DSC and DCell signal digitisers if required, or you can chose a wireless measurement option based on the T24 telemetry system.

The CCGBP as with all the other Applied Measurements sensors can be supplied complete with monitoring/control electronics and calibrated as a system traceable to UKAS standards, please contact our [technical sales team](#).

Options:

- Custom Mounting Fixtures
- Special Dimensions
- Other Capacities
- In-Line Signal Conditioning to Provide Analogue or Digital Signal Outputs
- Wireless Version (via T24 Instrumentation)
- TEDS (Transducer Electronic Data Sheet)
- TEDS Allows Plug & Play with TEDS Enabled Instrumentation
- USB Versions (via DSC-USB)

Applications:

- Accelerator Force Measurement
- Brake Pedal Force Measurement
- Clutch Force Measurement



APPLIED MEASUREMENTS LTD.

Transducer Specialists...

+44 (0) 118 981 7339

info@appmeas.co.uk

<https://appmeas.co.uk>

Specification:

Rated Capacity (RC)	kgf	0-50 (500N), 0-100 (1000N), 0-150 (1500N), 0-200 (2000N), 0-250 (2500N)
Operating Modes	Compression Only	
Rated Output	mV/V	2 nominal
Zero Balance/Offset	±%/Rated Output	<5
Non-Linearity	±%/Rated Output	<2.5
Hysteresis	±%/Rated Output	<2.5
Repeatability	±%/Rated Output	<0.5
Temperature Effect on Zero	±%/Rated Output/°C	<0.010
Temperature Effect on Output	±%/Applied Load/°C	<0.010
Input Resistance	Ohms (nominal)	700
Output Resistance	Ohms (nominal)	750
Insulation Resistance	Megohms	>2000
Excitation Voltage	Volts AC or DC	10 recommended (2-15 acceptable)
Operating Temperature Range	°C	-20 to +80
Compensated Temperature Range	°C	0 to +60
Storage Temperature Range	°C	-20 to +80
Safe Overload	% of Rated Capacity	150
Ultimate Overload	% of Rated Capacity	300
Deflection @ Rated Capacity	mm	<0.4
IP Rating (Environmental Protection)		IP65
Weight (excluding cable)	grams	180
Fatigue Life		10 ⁸ cycles typical (10 ⁹ cycles on fatigue-rated version)
Cable Length (as standard)	metres	3
Cable Type		4 core screened PTFE cable
Construction Material		Stainless Steel
Resolution		1 part in 250,000 (with appropriate instrumentation)

Wiring Diagram:

Wire	Designation
Red	+ve excitation
Blue	-ve excitation
Green	+ve signal
Yellow	-ve signal
Screen	To ground - not connected to load cell body

Ordering Codes:

Core Product	Capacity (inc Engineering Units)	Cable Length (m)	Specials Code	Example Result
CCGBP	50kg	003	000	CCGBP-50kg-003-000
CCGBP	100kg	003	000	CCGBP-100kg-003-000
CCGBP	150kg	003	000	CCGBP-150kg-003-000
CCGBP	200kg	003	000	CCGBP-200kg-003-000
CCGBP	250kg	003	000	CCGBP-250kg-003-000



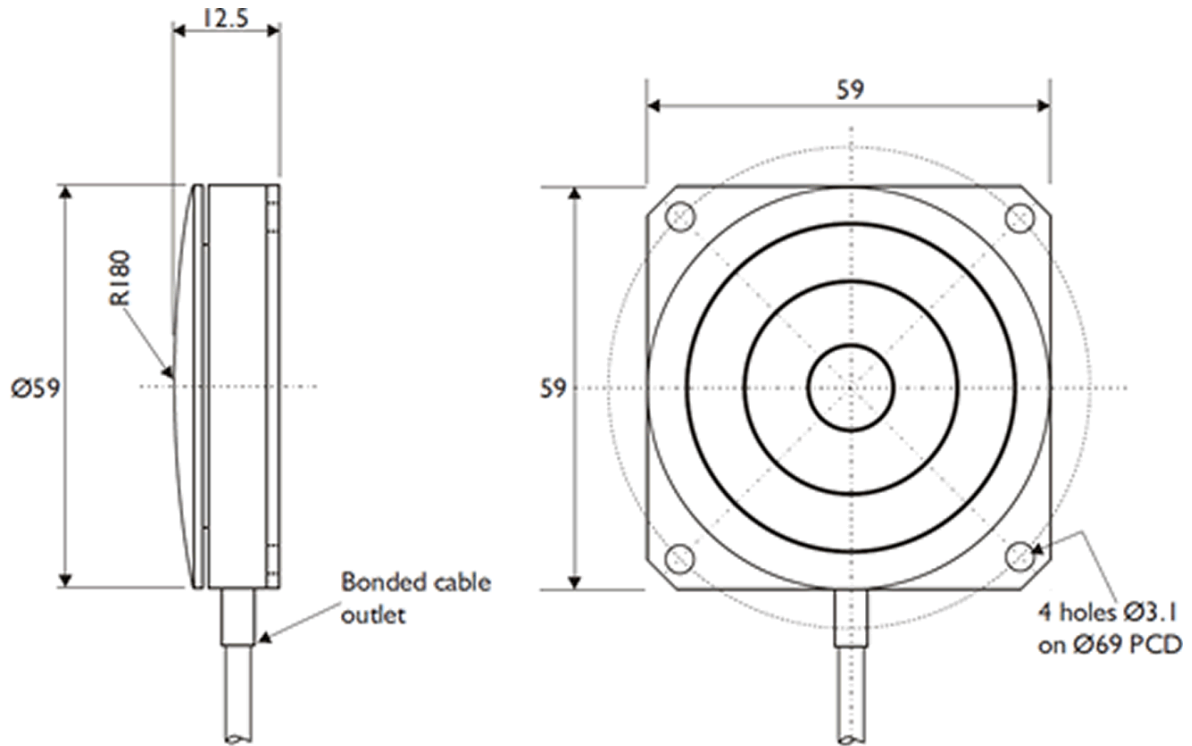
APPLIED MEASUREMENTS LTD.
Transducer Specialists...

+44 (0) 118 981 7339

info@appmeas.co.uk

<https://appmeas.co.uk>

Dimensions (mm):



Associated Products:



[TR150 Handheld Indicator](#)



[T24 Wireless Telemetry Range](#)



[Intuitive4-L Panel-Mount Indicator](#)



[DSC-USB USB Signal Digitiser](#)



[ICA Miniature Strain Gauge Amplifier](#)



[SGA Signal Conditioner/Amplifier](#)