

## ASUH-I SERIES HYBRID PRESSURE TRANSDUCER



The ASUH-I Series of High Performance Sub-Miniature Pressure Transducers have been designed for demanding installations in precision engineering.

The new design of the ASUH-I utilises miniaturised hybrid components, allowing savings in both size and weight; this transducer has enhanced performance at elevated temperature and is optimised for extreme installations such as on-engine or transmissions.

With a modular construction and programmable amplifier, this provides a fast delivery time for standard and custom configurations.

Pressure ranges are available between 10 to 400 Bar in either Absolute, Gauge or Sealed Gauge reference.

Industry standard 2-wire electrical connections allow configuration with most common ECU's and data logging systems.

### TECHNICAL SPECIFICATIONS

<b>Pressure Reference</b>	Absolute, Gauge and Sealed Gauge
<b>Standard Pressure Ranges (Bar)</b>	10, 15, 20, 35, 50, 100, 200, 400
<b>Proof Pressure (Over range)</b>	200% of Range
<b>Burst Pressure</b>	>500% of Range
<b>Accuracy</b>	±0.25% FS Combined Linearity & Hysteresis (CNLH)
<b>Thermal Accuracy</b>	Zero ±0.01% FS/°C (Sensitivity ±0.01% of Reading /°C)
<b>Output</b>	4-20mA (±0.5%)
<b>Supply</b>	9-40Vdc
<b>Operating Temperature Range</b>	-40°C to +150°C
<b>Compensated Temperature Range</b>	0°C to +125°C
<b>Bandwidth</b>	0-1000Hz
<b>Construction</b>	Stainless Steel (17-4ph)
<b>Electrical Connection</b>	50cm 26AWG, 55Spec Wire + DR25 Sleeve
<b>Process Connection (Thread Size)</b>	Please see Part Number Configurator
<b>Protection Class</b>	IP67
<b>EMC Protection &amp; Vibration</b>	EN E50082-1 and Mil-Std-810C, Curve L, 20G
<b>Weight</b>	20g (Including Cable)
<b>Options</b>	Cable Spec, Connector Fitted, Thread Size & Labelling

KA Sensors adopts a continuous development program which sometimes necessitates specification changes without notice.

## Sensors For Motorsport

### Features

- Sub-Miniature Size
- 4-20mA Output
- 10 to 400 Bar Range
- Rugged Construction
- 0-1000Hz Bandwidth
- ±0.25% Accuracy

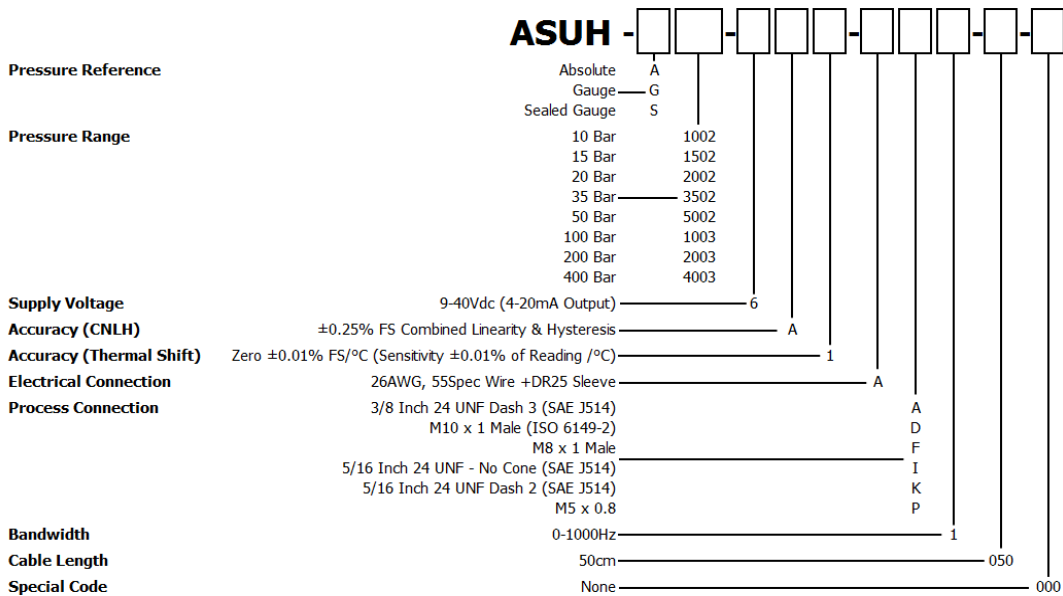
### Applications

- Coolant
- Brakes
- Water
- Boost
- Fuel
- Oil

kasensors.com  
sales@kasensors.com  
+44(0)1476 568057

ASUH-I 10.18

# PART NUMBER CONFIGURATOR



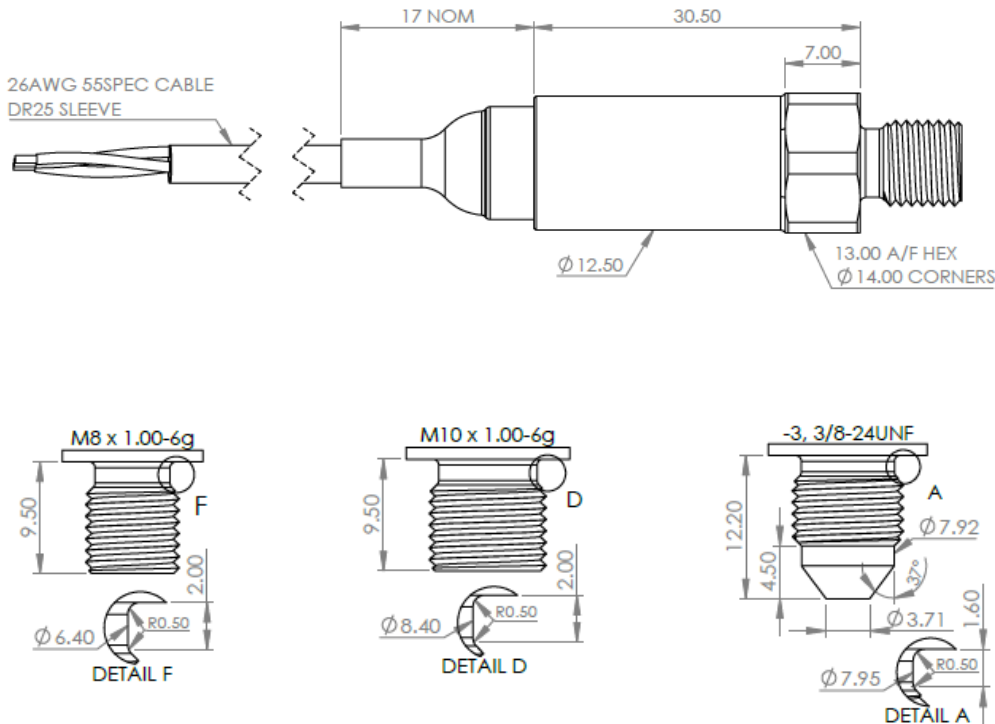
The KA configuration tool is used to specify a standard KA Sensor, other options are available.

*Sense  
Analyse  
Control*

## Services for:

- Data Logging
- Telemetry
- Controls
- Wiring

# MECHANICAL DETAILS



## Contact us

KA Sensors Ltd  
Unit 14 & 15  
The Old Malthouse  
Springfield Road  
Grantham  
Lincolnshire  
United Kingdom  
NG31 7BG

kasensors.com  
sales@kasensors.com  
+44(0)1476 568057

# CONNECTION DETAILS

+Ve Supply	0V Supply	Factory Use Only
Red	Black	White

ASUH-I10.18