

KAAI SERIES SINGLE AXIS ACCELEROMETER



The KAAI Series of Miniature Accelerometers offer a compact and robust solution for the motorsports and automotive testing industry.

The sensor offers 1 Axis of measurement with integral signal conditioning to give a standard signal of 4 to 20mA output with a supply voltage of 12-32V.

With a bandwidth of 0 to 1KHz, these sensors are useful for applications within component, full vehicle testing and development programs.

TECHNICAL SPECIFICATIONS

Range (g)	±1
Bandwidth	0-1KHz
Resonant Frequency	5kHz
Safe Over Range	±4000g
Linearity	±0.5% FS Linearity
Output Offset	4mA ±1% FS
Output Full Scale	20mA ±1% FS
Insulation Resistance	>100MΩ @ 50V
Supply	12-32Vdc
Operating Temperature Range	-40°C to +85°C
Compensated Temperature Range	20°C to +70°C
Noise	>15mg√Hz
Zero Shift in CTR	<0.03% FS/°C
Sensitivity Shift in CTR	<0.02% of Reading/°C
Construction	Anodised Aluminium
Electrical Connection	2 Core + Screen, 24AWG Polyurethane Insulated Cable
Protection Class	IP67
EMC Protection Class	EN 50082-1
Weight	30g (Excluding Cable)
Options	Connector Fitted and Part Number Labelling

KASensors adopts a continuous development program which sometimes necessitates specification changes without notice.

Sensors For Motorsport

Features

- Miniature Size
- ±1g
- 1 Axis Output
- DC Response
- Rugged Design
- Built-In Amplifier

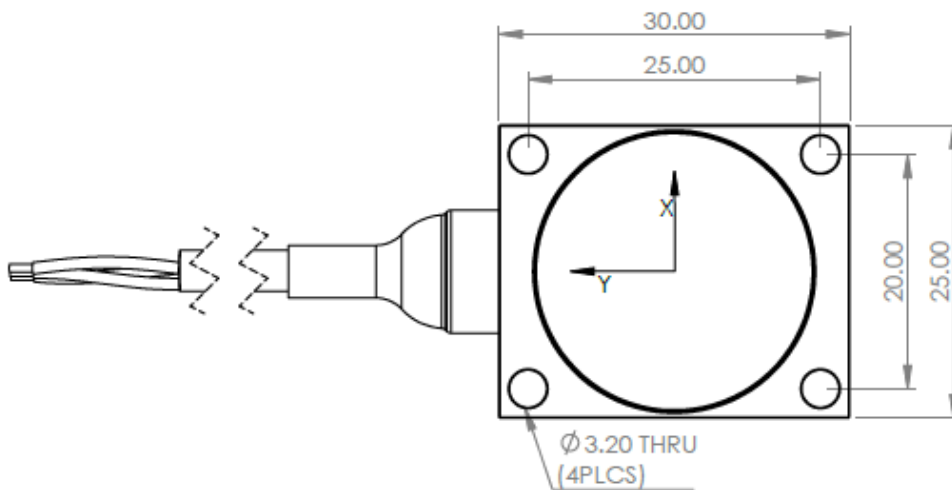
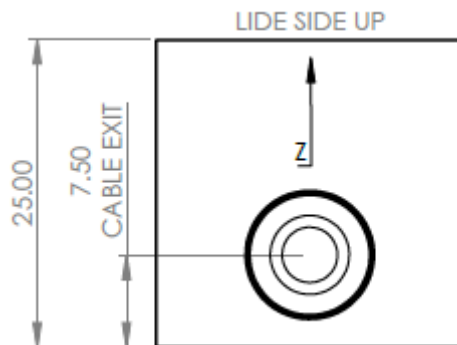
Applications

- Aero Performance
- Structural Analysis
- Suspension Test
- Launch Control
- Braking

kasensors.com
sales@kasensors.com
+44(0)1476 568057

KAAI 10.18

MECHANICAL DETAILS



CONNECTION DETAILS

Output (X)	Output (Y)	Output (Z)
+ Red	+ Orange	+ Brown

*Sense
Analyse
Control*

Services for:

- Data Logging
- Telemetry
- Controls
- Wiring

Contact us

KA Sensors Ltd
Unit 14 & 15
The Old Malthouse
Springfield Road
Grantham
Lincolnshire
United Kingdom
NG31 7BG

kasensors.com
sales@kasensors.com
+44(0)1476 568057

KAAl 10.18