

KAE SERIES ACCELEROMETER



The KAE Series of Miniature Accelerometers offer a compact and robust solution for the motorsports and automotive testing industry.

The sensors offers 1 Axis of measurement with integral signal conditioning to give a standard signal of 0.5 to 4.5V; ideal for most data acquisition systems.

Supply voltage can be 5V or 8-16V with low current consumption of less than 25mA.

With a bandwidth of zero to 1500Hz, these sensors are useful for applications within component, full vehicle testing and development programs.

TECHNICAL SPECIFICATIONS

Range (g)	Standard Ranges: 2, 5, 10, 20, 50, 100, 200
Bandwidth	Ranges 2-10g: 0-1500Hz Ranges 20-200g: 0-400Hz
Resonant Frequency	5kHz
Safe Over Range	±4000g
Accuracy	<±0.3% FS Linearity
Cross Axis Sensitivity	<±2% FS (±5% for >20g)
Thermal Effects	Zero ±0.03% FS/°C (Sensitivity ±0.03% of Reading /°C)
Output	0.5V to 4.5V (Offset 2.5V)
Supply	5V (±0.5V) Ratiometric or 8-16Vdc
Operating Temperature Range	-55°C to +125°C
Compensated Temperature Range	0°C to +100°C
Noise	>15mg√Hz
Construction	Anodised Aluminium
Electrical Connection	50cm, 55Spec, 26AWG Cable + DR25 Sleeve
Protection Class	IP66
EMC Protection	EN 50082-1
Weight	30g (Excluding Cable)
Options	Connector Fitted and Part Number Labelling

KA Sensors adopts a continuous development program which sometimes necessitates specification changes without notice.

Sensors For Motorsport

Features

- Miniature Size
- ±2g to ±200g
- Single Axis
- DC Response
- Rugged Design
- Built-In Amplifier

Applications

- Structural Analysis
- Aero Performance
- Suspension Test
- Launch Control
- Braking

kasensors.com

sales@kasensors.com

+44(0)1476 568057

KAE 10.18

PART NUMBER CONFIGURATOR

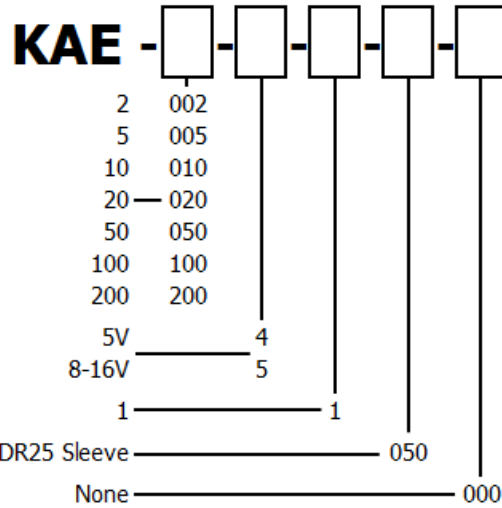
Range (\pm g)

Supply

Number of Axis

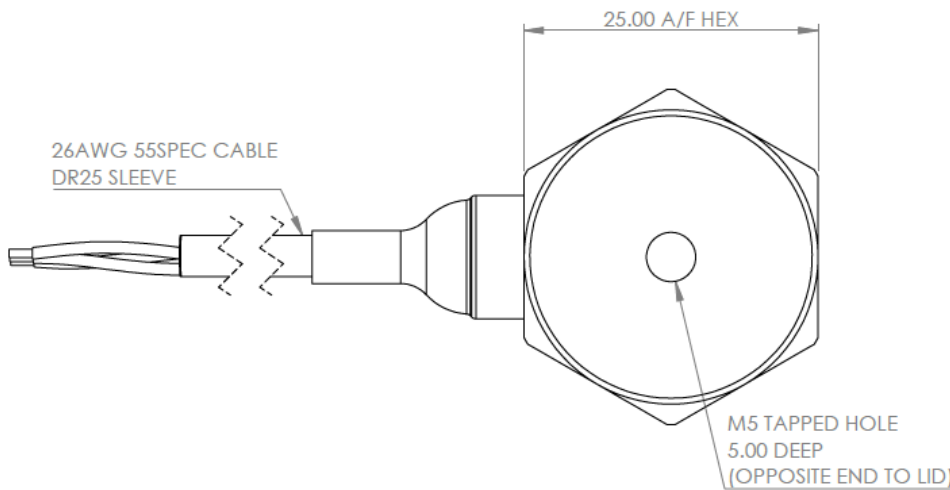
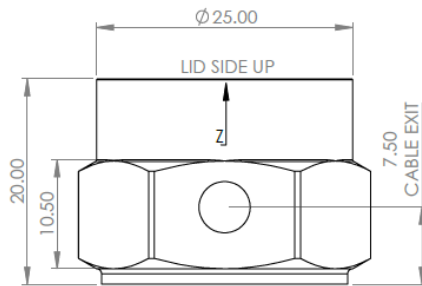
Cable Length 50cm, 55Spec, 26AWG Cable+DR25 Sleeve

Special Code



The KA configuration tool is used to specify a standard KA Sensor, other options are available.

MECHANICAL DETAILS



CONNECTION DETAILS

+Ve Supply	0V Supply	Output
Red	Black	White

*Sense
Analyse
Control*

Services for:

- Data Logging
- Telemetry
- Controls
- Wiring

Contact us

KA Sensors Ltd
Unit 14 & 15
The Old Malthouse
Springfield Road
Grantham
Lincolnshire
United Kingdom
NG31 7BG

kasensors.com
sales@kasensors.com
+44(0)1476 568057

KAE 10.18