

Model REC Rod End Load Cell

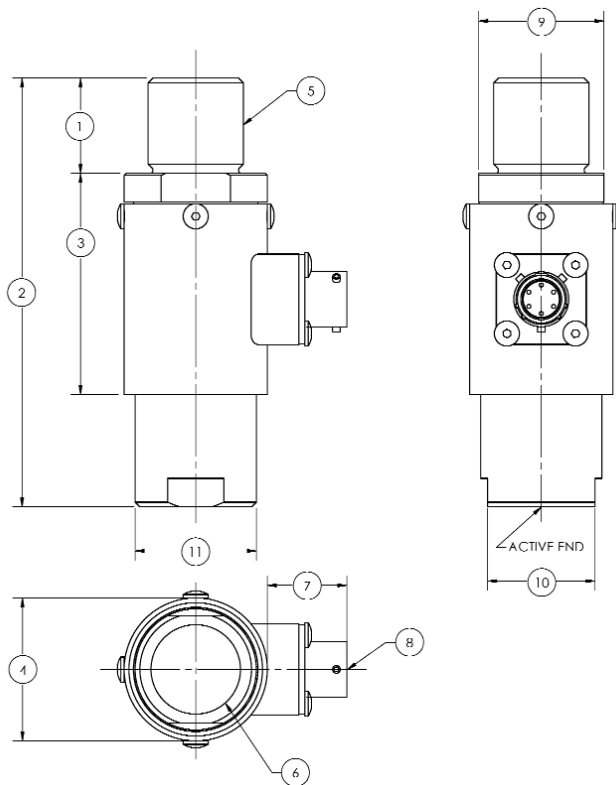
Why the Interface model REC Rod End Load Cell is the best in class:

- Proprietary Interface temperature compensated strain gages
- Environmentally sealed
- Stainless steel construction
- Low deflection



DIMENSIONS

See Drawing	CAPACITY		CAPACITY	
	1K, 2K, 3K, 5K, 10K, 15K, 20K, 25K (lbf) 5, 9, 13, 22, 45, 67, 90, 110 (kN)		25K (lbf) 220 (kN)	
	inch	mm	inch	mm
①	1.00	25.4	1.50	38.1
②	4.50	114.3	7.00	177.8
③	2.32	58.9	N/A	N/A
④	1.50	38.1	Ø2.50	63.5
⑤	1.00-14 UNS-2A		1.500-12 UNF-2A	
⑥	1.00-14 UNS-2B X \pm 1.00		1.500-12 UNF-2B - 1.5" deep	
⑦	0.83	21.1	.71	18
⑧	PT02E-106P Connector		PT02E-106P Connector	
⑨	1.31 Wrench Flats	33.3 Wrench Flats	1.75 Wrench Flats	44.5 Wrench Flats
⑩	1.13 Wrench Flats	28.7 Wrench Flats	2.25 Wrench Flats	57.2 Wrench Flats
⑪	1.27	32.3	Ø1.93	49



SPECIFICATIONS

ACCURACY – (MAX ERROR)

Nonlinearity - % FS.....±0.25
 Hysteresis - % FS.....±0.15
 Nonrepeatability - % FS±0.05

TEMPERATURE

Compensated Range - °F-60 to 160
 Compensated Range - °C-15 to 72
 Operating Range - °F-60 to 200
 Operating Range - °C-50 to 93
 Effect on Output - %/°F.....±0.005
 Effect on Output - %/°C±0.01
 Effect on Zero - % RO/°F±0.005
 Effect on Zero - % RO/°C±0.01

ELECTRICAL

Rated Output- mV/V (nominal).....2
 Zero Balance - %RO±3
 Bridge Resistance – Ohm (nominal)350
 Excitation Voltage – MAX15 VDC

MECHANICAL

CalibrationT & C
 Safe Overload - % RO.....150
 Deflection.....0.001 inch
 Connector.....PT02E-10-6P
 Weight1.0 lb

STANDARD CONFIGURATION

PT02E-10-6P Connector

OPTIONS

Integral Cable
 Standardized Output
 Amplifier

ACCESSORIES

Instrumentation
 Mating Connector PT06A-10-6S-SR

Consult factory for more technical information